



| Model  | Input |      | Max Pressure |      |      | Max Vacuum |      |      | Net Weight  |        |
|--------|-------|------|--------------|------|------|------------|------|------|-------------|--------|
|        | RPM   | SCFM | BHP          | mbar | "H2O | BHP        | "Hg  | "H2O | Noise Level | kg lbs |
| RBB-55 | 2500  | 1000 | 60           | 460  | 184  | 52         | 12   | 165  | 85 db(A)    |        |
|        | 2850  | 1285 | 83           | 600  | 240  | 68         | 13.5 | 185  | 87 db(A)    |        |
|        | 3500  | 1405 | 118          | 600  | 240  | 112        | 16.6 | 225  | 94 db(A)    |        |
|        | 4000  | 1700 | 150          | 600  | 240  | 150        | 17.6 | 240  | 97 db(A)    |        |

\*Refer to curves below for detailed performance data. Data subject to change without notice. Actual performance may vary by ±10%. For BHP (Brake HP), visit [www.all-star-com](http://www.all-star-com) or contact All-Star Products.

**STANDARD FEATURES**

- Housing - Aluminum
- Impeller - Aluminum, dynamically balanced
- Direct drive or V-belt input
- Quiet operation
- Inlet & outlet silencers included
- Motor shaft seal standard
- Regreasable bearings
- Pressure intake filter as standard
- Intake pressure gauge as standard

**AVAILABLE AS**

- **Bare Blower**
- **Direct Connected Package**  
Includes ac motor, coupling, coupling guard mounted and assembled onto a heavy duty steel base plate
- **V-Belted Package**  
Includes ac motor, sheaves, v-belts, belt guard, slide base mounted and assembled onto a heavy duty steel base plate



V-Belt Connected Package

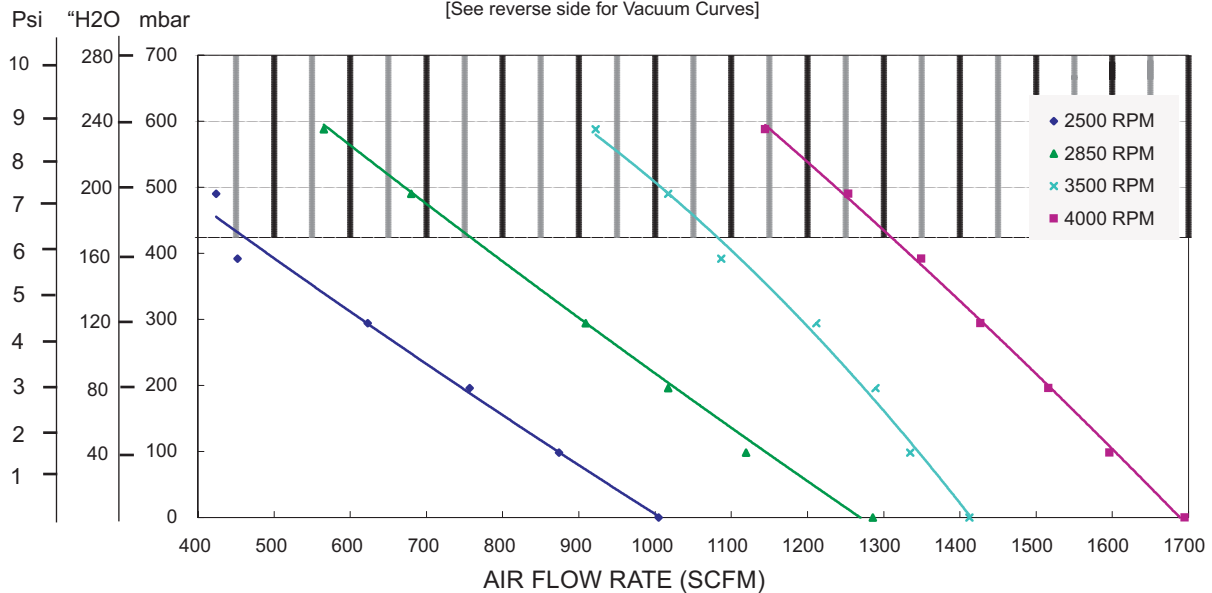
**TECHNICAL DATA**

- [Available online [www.all-star-usa.com](http://www.all-star-usa.com)]
- Performance Temperature Rise Curves
  - AutoCad files
  - Parts List
  - Full load amperage

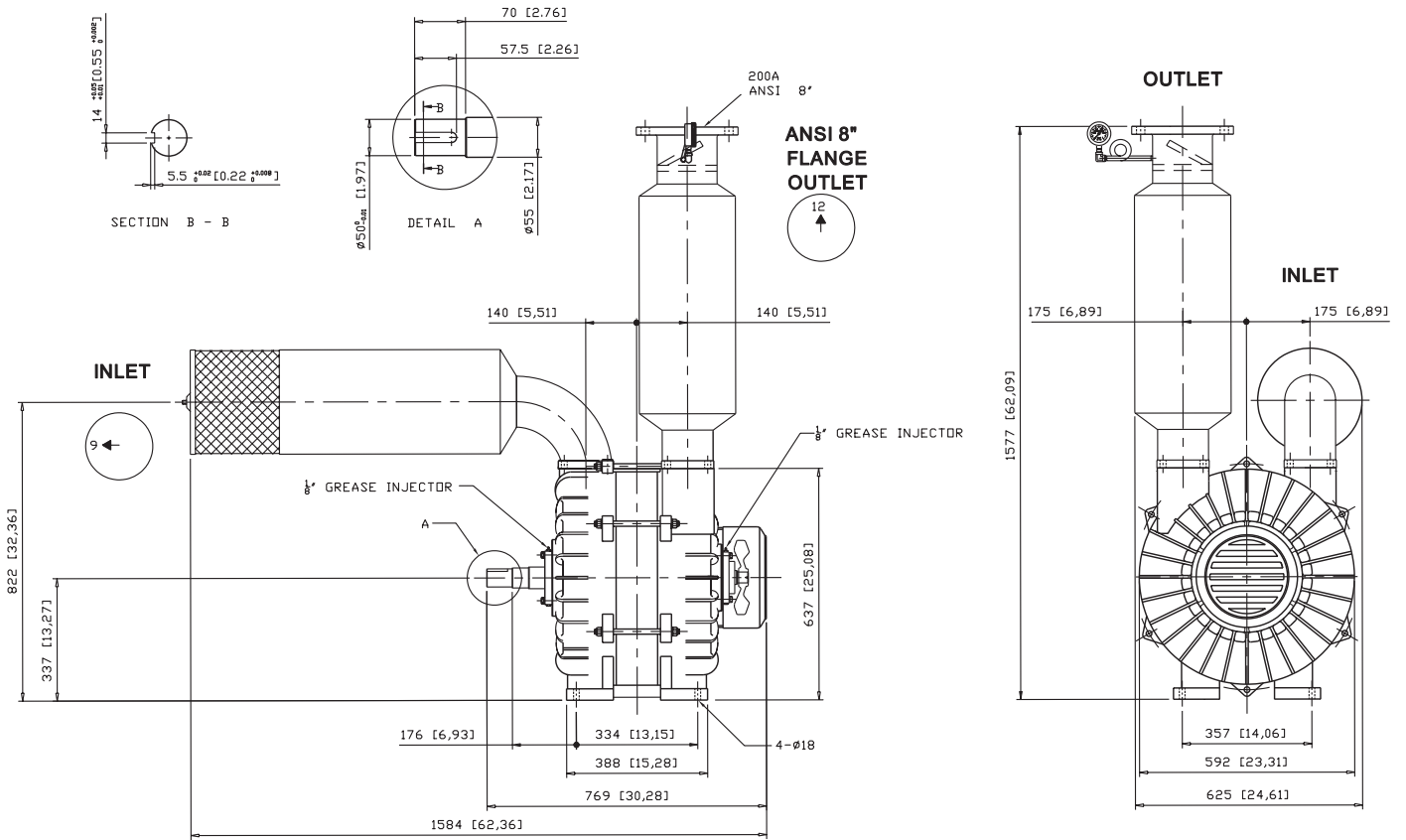


RoHS Compliant

**PRESSURE DATA CURVES ±10%**  
[See reverse side for Vacuum Curves]



New page December 30, 2006 RBB-55 Series  
Subject to change without notice.



VACUUM DATA CURVES

