



Model	RPM	Hz	HP	kW	SCFM	Pressure mbar "H2O	Vacuum mbar "H2O	Noise Level	Net Weight kg lbs
RB83	3450	60	11.5	8.5	410	320 128	340 137	81 db(A)	
	2850	50	7.5	340	320 128	360 145	87 db(A)		
RB83	3450	60	17.5	13	410	598 240	456 183	81 db(A)	
	2850	50	11	340	598 240	423 170	87 db(A)		
RB83	3450	60	25	19	410	790 317	650 261	81 db(A)	
	2850	50	16	340	700 281	450 181	87 db(A)		

*Refer to curves below for detailed performance data. Data subject to change without notice. Actual performance may vary by ±10%.

STANDARD FEATURES

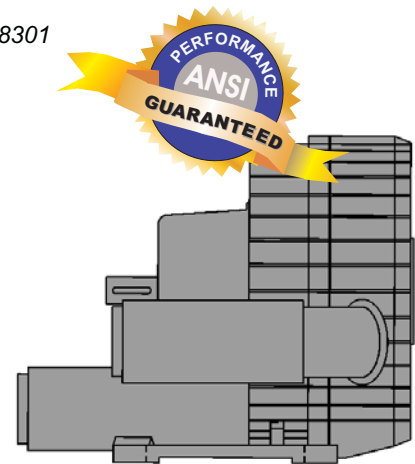
- Housing - Aluminum
- Impeller - Aluminum, dynamically balanced
- Direct drive impeller
- Shock absorbing mounting base
- Quiet operation - below OSHA limits
- Inlet & outlet silencers included
- Regreasable bearing
- 40 Deg C ambient
- Performance tested ANSI/AMCA210-85

NOTE: The RB83 replaces the HB-8301

ACCESSORIES

Note: To obtain warranty coverage on the blower a relief valve and filter are required.

- Pressure Intake Air Filter F245P-3
- Vacuum Air Filter CSL-335P-300



TECHNICAL DATA

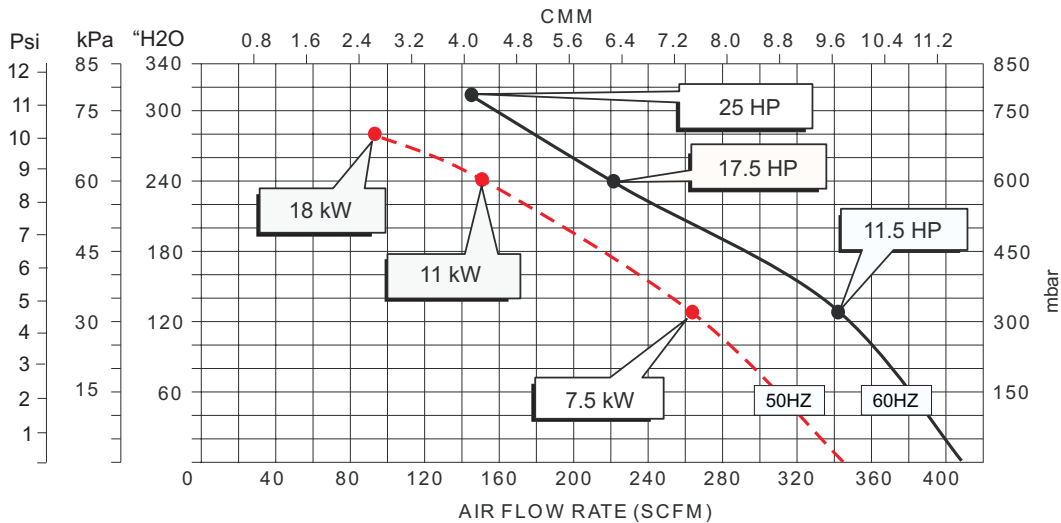
[Available online www.all-star-usa.com]

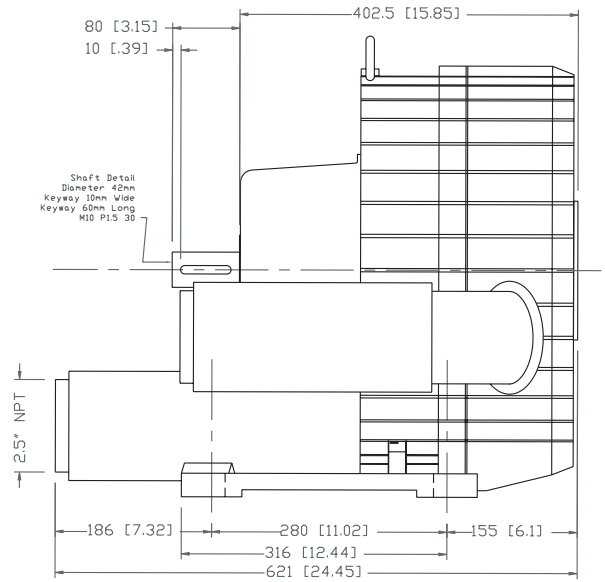
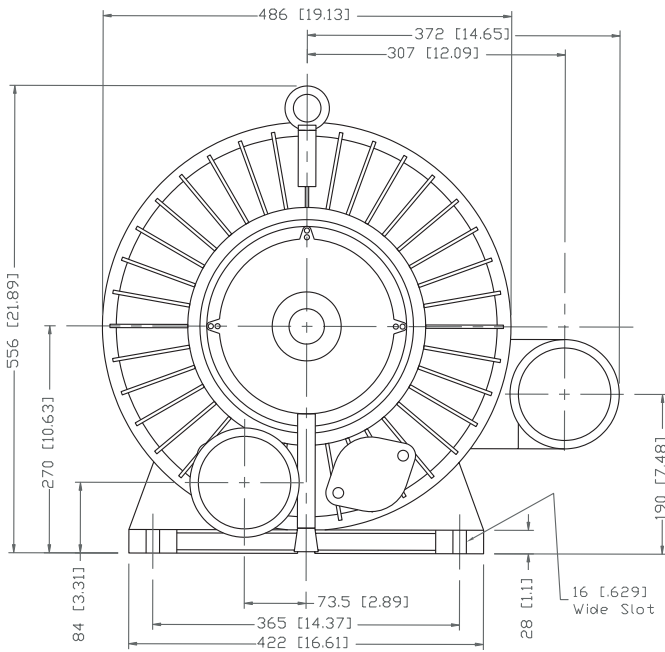
- Performance Temperature Rise Curves
- AutoCad files
- Parts List



RoHS Compliant

PRESSURE DATA CURVES ±10%
[See reverse side for Vacuum Curves]





VACUUM DATA CURVES

