



Model	Voltage	Hz	HP	kW	SCFM	Pressure		Vacuum		Noise Level	Net Weight		
						mbar	"H2O	mbar	"H2O		kg	lbs	
RB63-601-3	3	▶	60	6.1	4.6	230	380	153	380	153	79 db(A)	69	152
			50	4	190	380	153	360	145	75 db(A)	69	152	
RB63-805-3	3	▶	60	8.5	6.3	230	540	217	425	171	79 db(A)	72	159
			50	5.5	190	520	209	420	169	75 db(A)	72	159	
RB63-1105-3	3	▶	60	11.5	8.5	230	675	271	450	180	79 db(A)	75	165
			50	7.5	190	590	237	440	177	75 db(A)	75	165	

*Refer to curves below for detailed performance data. Data subject to change without notice. Actual performance may vary by ±10%.

STANDARD FEATURES

- Housing - Aluminum
- Impeller - Aluminum, dynamically balanced
- Direct drive impeller
- Shock absorbing mounting base
- Quiet operation - below OSHA limits
- Inlet & outlet silencers included
- Motor shaft seal standard
- IP 54 TEFC 2 pole squirrel cage ac motor
- 40 Deg C ambient
- Class H insulation 1.15 service factor
- Performance tested ANSI/AMCA210-85
- Voltage Code
 - 1 = 1/60/50/115/230
 - 2 = 1/60/50/230
 - 3 = 3/60/208-230/460 3/50/220/380

3/60/208-230/460 & 3/50/220/380

RB63-601-3 replaces HB-6346
 RB63-805-3 replaces HB-6355
 RB63-1105-3 replaced HB-6375



ACCESSORIES

Note: To obtain warranty coverage on the blower a relief valve and filter are required.

Pressure Relief Valve RV-02 for pressures of 110 to 236"H2O
 Pressure Relief Valve RVA-02 for pressures of 110 to 236"H2O

Vacuum Relief Valve RV-02 for vacuums of 110 to 236"H2O
 Vacuum Relief Valve RVA-02 for vacuums of 110 to 236"H2O

Pressure Intake Air Filter F231P-200
 Vacuum Air Filter CSL-851-200HC

TECHNICAL DATA

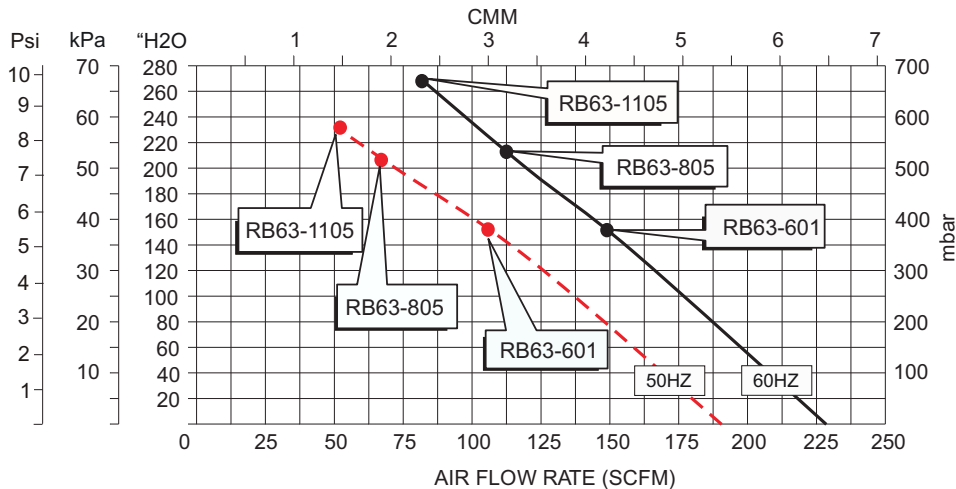
- [Available online www.all-star-usa.com]
- Performance Temperature Rise Curves
 - AutoCad files
 - Parts List
 - Full load amperage



RoHS Compliant

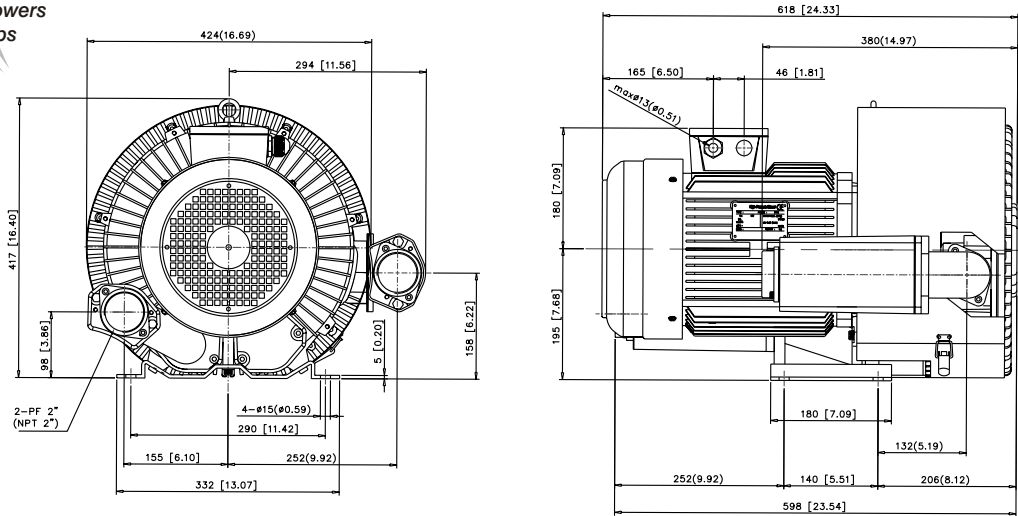
PRESSURE DATA CURVES ±10%

[See reverse side for Vacuum Curves]

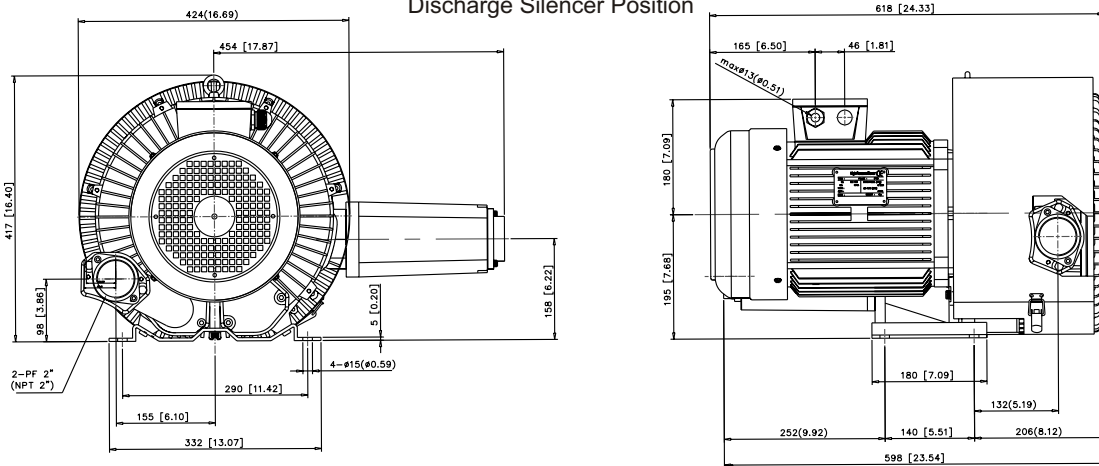




Assembly "A"
Discharge Silencer Position



Assembly "B"
Discharge Silencer Position



VACUUM DATA CURVES

