



Model	Voltage	Hz	HP	kW	SCFM	Pressure		Vacuum		Noise Level	Net Weight	
						mbar	"H2O	mbar	"H2O		kg	lbs
RB43-305-2	2	▶ 60	3.5	2.6	165	386	155	386	155	77 db(A)	37	81
		50	2.2	135	360	148	348	140	74 db(A)	37	81	
RB43-5-3	3	▶ 60	5	3.7	165	415	167	410	165	77 db(A)	39	86
		50	3.4	135	415	167	360	145	74 db(A)	39	86	
RB43-601-3	3	▶ 60	6.1	4.6	165	490	197	420	168	77 db(A)	40	88
		50	4	135	485	195	335	135	74 db(A)	40	88	

*Refer to curves below for detailed performance data. Data subject to change without notice. Actual performance may vary by ±10%.

STANDARD FEATURES

- Housing - Aluminum
- Impeller - Aluminum, dynamically balanced
- Direct drive impeller
- Shock absorbing mounting base
- Quiet operation - below OSHA limits
- Inlet & outlet silencers included
- Motor shaft seal standard
- IP 54 TEFC 2 pole squirrel cage ac motor
- 40 Deg C ambient
- Class H insulation 1.15 service factor
- Performance tested ANSI/AMCA210-85
- Voltage Code
 - 1 = 1/60/50/115/230
 - 2 = 1/60/50/230
 - 3 = 3/60/208-230/460 3/50/220/380

3/60/208-230/460 & 3/50/220/380
 RB43-5-3 replaces HB-4337
 RB43-601-3 replaces HB-4346

1/60/230 & 1/50/220
 RB43-305-2 replaces HB-4326-1



ACCESSORIES

Note: To obtain warranty coverage on the blower a relief valve and filter are required.

Pressure Relief Valve RV-02
 Pressure Relief Valve RVA-02

Vacuum Relief Valve RV-02
 Vacuum Relief Valve RVA-02

Pressure Intake Air Filter F30P-200
 Vacuum Air Filter CSL-851-200HC

TECHNICAL DATA

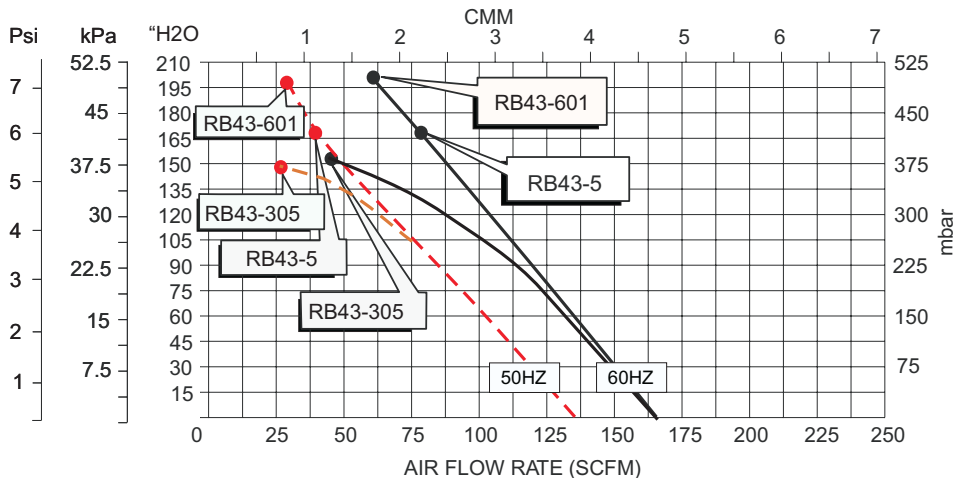
- [Available online www.all-star-usa.com]
- Performance Temperature Rise Curves
- AutoCad files
- Parts List
- Full load amperage



RoHS Compliant

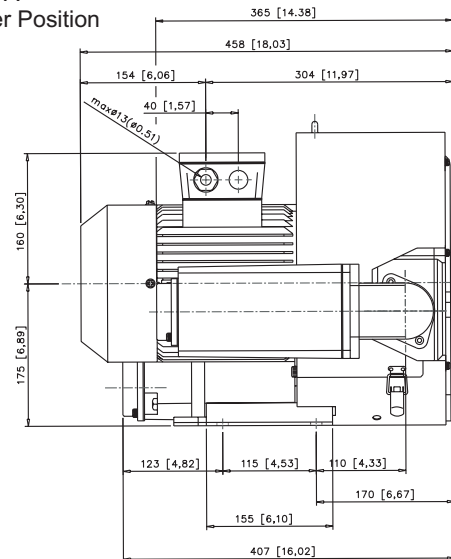
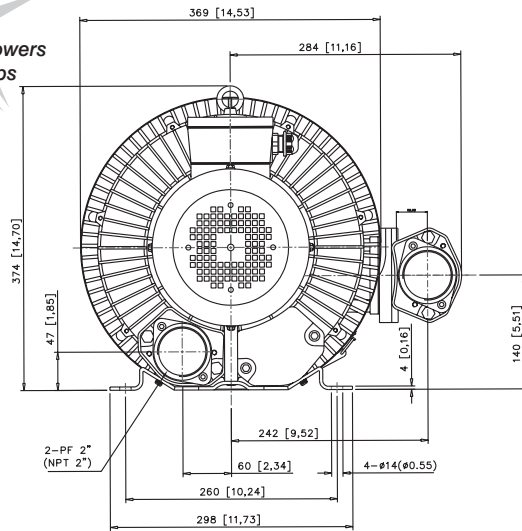
PRESSURE DATA CURVES ± 10%

[See reverse side for Vacuum Curves]

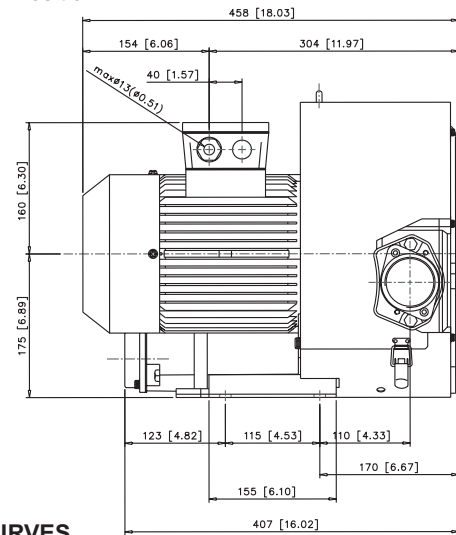
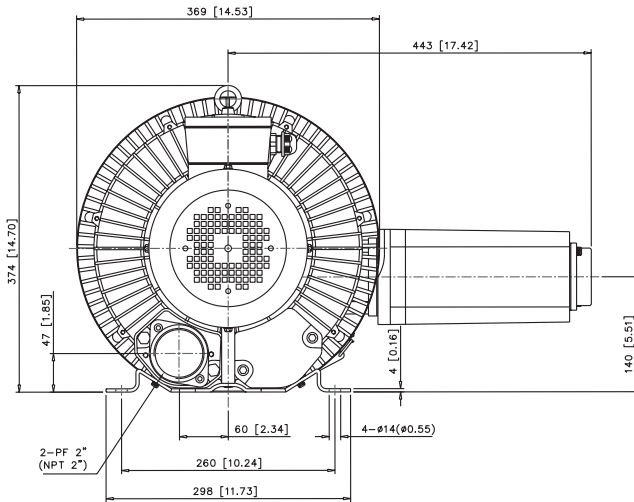




Assembly "A"
Discharge Silencer Position



Assembly "B"
Discharge Silencer Position



VACUUM DATA CURVES

