



Model	RPM	Hz	HP	kW	SCFM	Pressure		Vacuum		Noise Level	Net Weight	
						mbar	"H2O	mbar	"H2O		kg	lbs
RB43	3450	60	3.5	2.6	165	386	155	386	155	77 db(A)		
	2850	50		2.2	135	360	148	348	140	74 db(A)		
RB43	3450	60	5	3.7	165	415	167	410	165	77 db(A)		
	2850	50		3.4	135	415	167	360	145	74 db(A)		
RB43	3450	60	6.1	4.6	165	490	197	420	168	77 db(A)		
	2850	50		4	135	485	195	335	135	74 db(A)		

*Refer to curves below for detailed performance data. Data subject to change without notice. Actual performance may vary by ±10%.

STANDARD FEATURES

- Housing - Aluminum
- Impeller - Aluminum, dynamically balanced
- Direct drive impeller
- Shock absorbing mounting base
- Quiet operation - below OSHA limits
- Inlet & outlet silencers included
- Regreasable bearing
- 40 Deg C ambient
- Performance tested ANSI/AMCA210-85

NOTE: The RB43 replaces the HB-4301

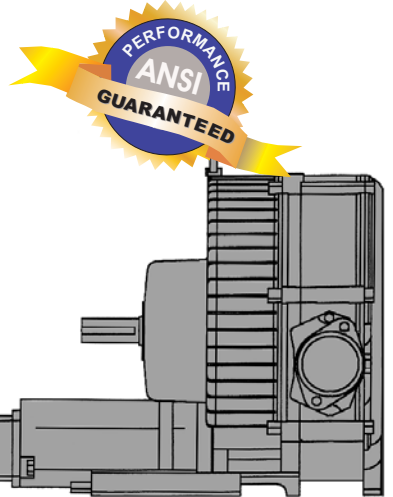
ACCESSORIES

Note: To obtain warranty coverage on the blower a relief valve and filter are required.

Pressure Relief Valve RV-02
Pressure Relief Valve RVA-02

Vacuum Relief Valve RV-02
Vacuum Relief Valve RVA-02

Pressure Intake Air Filter F30P-200
Vacuum Air Filter CSL-851-200HC



TECHNICAL DATA

[Available online www.all-star-usa.com]

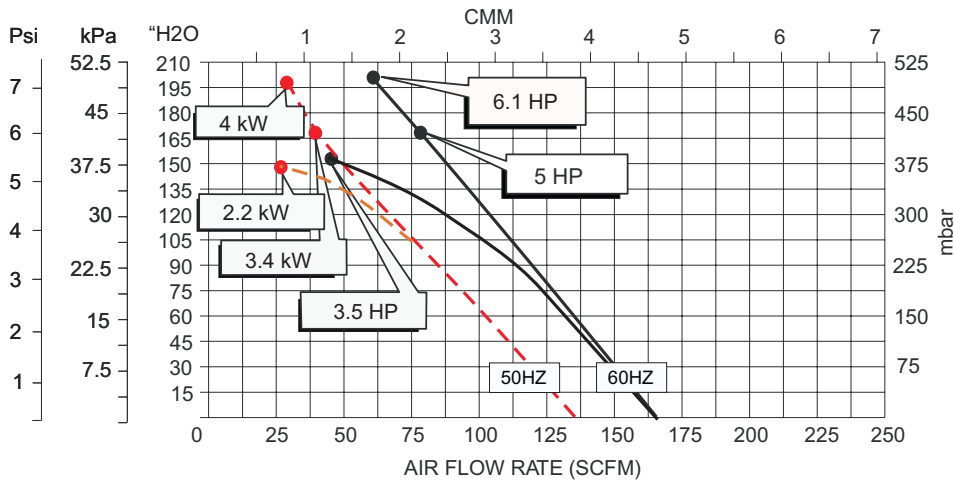
- Performance Temperature Rise Curves
- AutoCad files
- Parts List

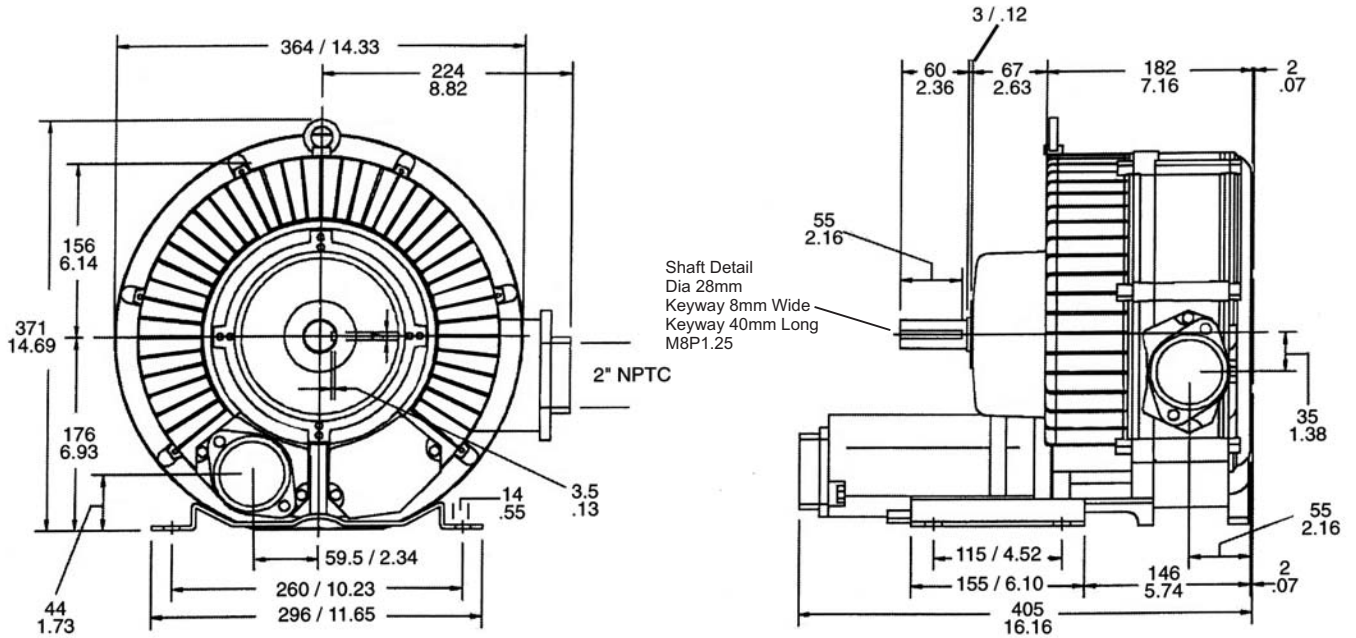


RoHS Compliant

PRESSURE DATA CURVES ± 10%

[See reverse side for Vacuum Curves]





VACUUM DATA CURVES

