



Model	RPM	Hz	HP	kW	SCFM	Pressure		Vacuum		Noise Level	Net Weight	
						mbar	"H2O	mbar	"H2O		kg	lbs
RB3	3450	60	1.1	.85	105	144	58	148	59	64 db(A)		
RB3	2850	50	.75	.75	87	139	56	148	59	63 db(A)		
RB3	3450	60	1.5	1.1	105	190	76	182	73	64 db(A)		
RB3	2850	50	.9	.9	87	188	75	168	67	63 db(A)		
RB3	3450	60	2	1.5	105	224	90	205	82	64 db(A)		
RB3	2850	50	1.3	1.3	87	202	81	180	72	63 db(A)		

*Refer to curves below for detailed performance data. Data subject to change without notice. Actual performance may vary by ±10%.

STANDARD FEATURES

- Housing - Aluminum
- Impeller - Aluminum, dynamically balanced
- Direct drive impeller
- Shock absorbing mounting base
- Quiet operation - below OSHA limits
- Inlet & outlet silencers included
- Regreasable bearing
- 40 Deg C ambient
- Performance tested ANSI/AMCA210-85

NOTE: The RB3 replaces the HB-301

ACCESSORIES

Note: To obtain warranty coverage on the blower a relief valve and filter are required.

- Pressure Relief Valve RV-01
- Pressure Relief Valve RVA-01

- Vacuum Relief Valve RV-01
- Vacuum Relief Valve RVA-01

- Pressure Intake Air Filter F19P-150
- Vacuum Air Filter CSL-849-150HC



TECHNICAL DATA

[Available online www.all-star-usa.com]

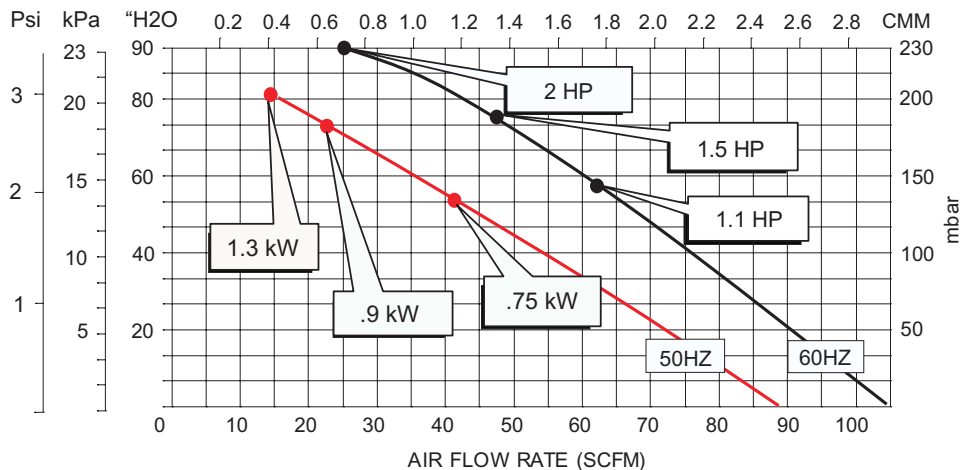
- Performance Temperature Rise Curves
- AutoCad files
- Parts List

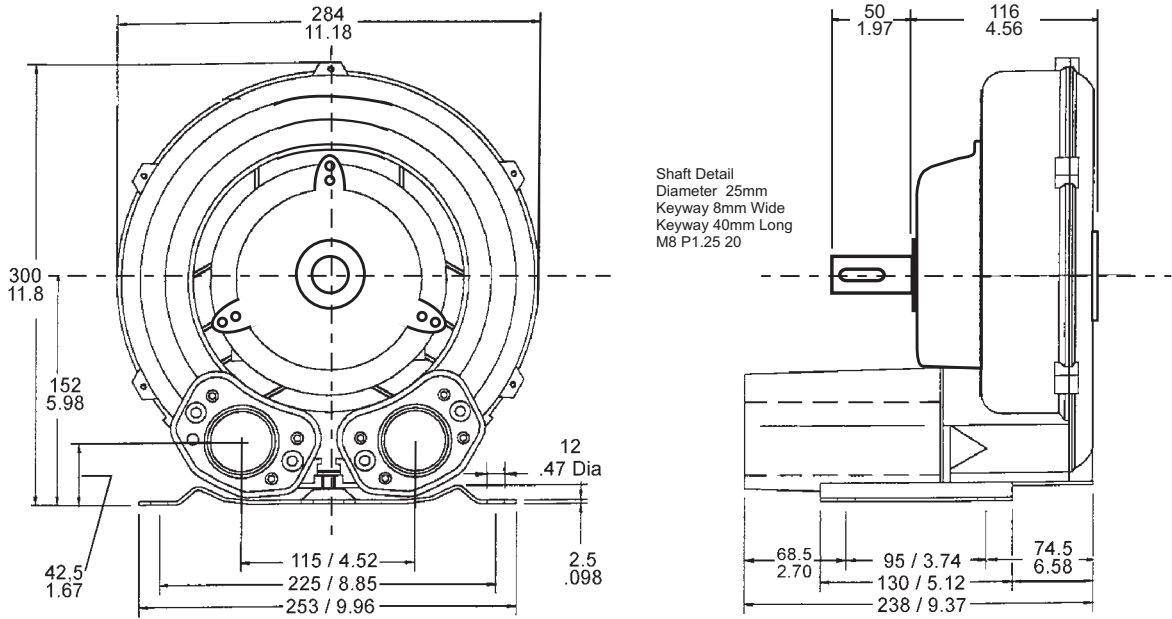


RoHS Compliant

PRESSURE DATA CURVES ±10%

[See reverse side for Vacuum Curves]





VACUUM DATA CURVES

