



Model	RPM	Hz	HP	kW	SCFM	Pressure		Vacuum		Noise Level	Net Weight	
						mbar	"H2O	mbar	"H2O		kg	lbs
RB33	3450	60	2	1.5	105	249	100	233	94	69 db(A)		
	2850	50		1.3	92	264	106	230	92	66 db(A)		
RB33	3450	60	2.5	1.9	105	294	118	298	120	69 db(A)		
	2850	50		1.75	92	280	112	270	108	66 db(A)		
RB33	3450	60	3.5	2.7	105	350	141	350	141	69 db(A)		
	2850	50		2.2	92	295	118	380	153	66 db(A)		

\*Refer to curves below for detailed performance data. Data subject to change without notice. Actual performance may vary by ±10%.

**STANDARD FEATURES**

- Housing - Aluminum
- Impeller - Aluminum, dynamically balanced
- Direct drive impeller
- Shock absorbing mounting base
- Quiet operation - below OSHA limits
- Inlet & outlet silencers included
- Regreasable bearing
- 40 Deg C ambient
- Performance tested ANSI/AMCA210-85

**TECHNICAL DATA**

[Available online [www.all-star-usa.com](http://www.all-star-usa.com)]

- Performance Temperature Rise Curves
- AutoCad files
- Parts List

**NOTE:** The RB33 replaces the HB-3301

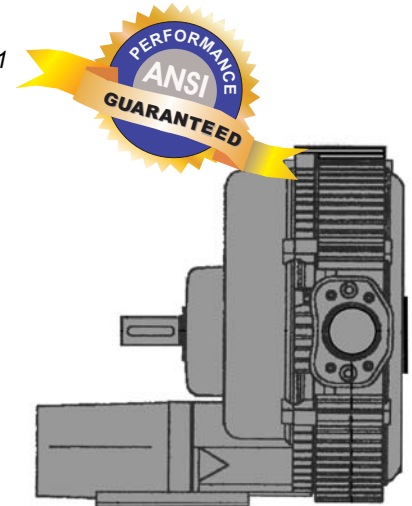
**ACCESSORIES**

Note: To obtain warranty coverage on the blower a relief valve and filter are required.

Pressure Relief Valve RV-02  
Pressure Relief Valve RVA-02

Vacuum Relief Valve RV-02  
Vacuum Relief Valve RVA-02

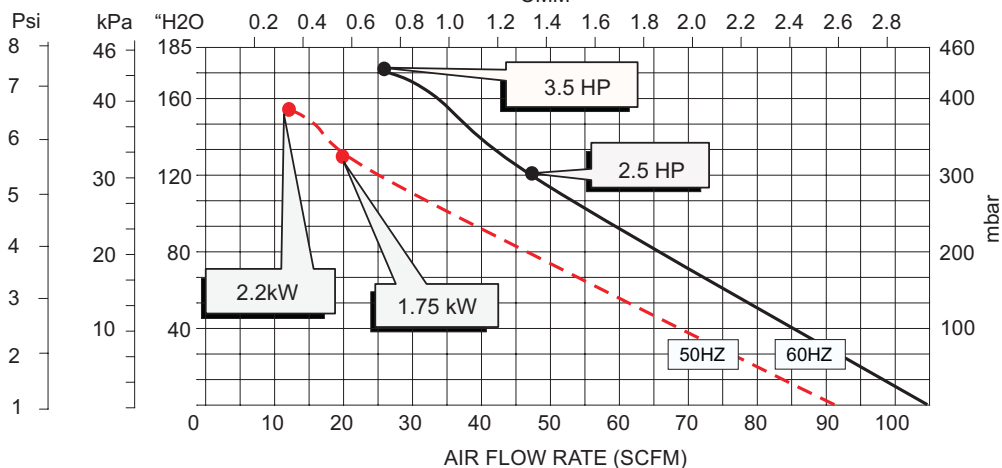
Pressure Intake Air Filter F19P-150  
Vacuum Air Filter CSL-849-150HC

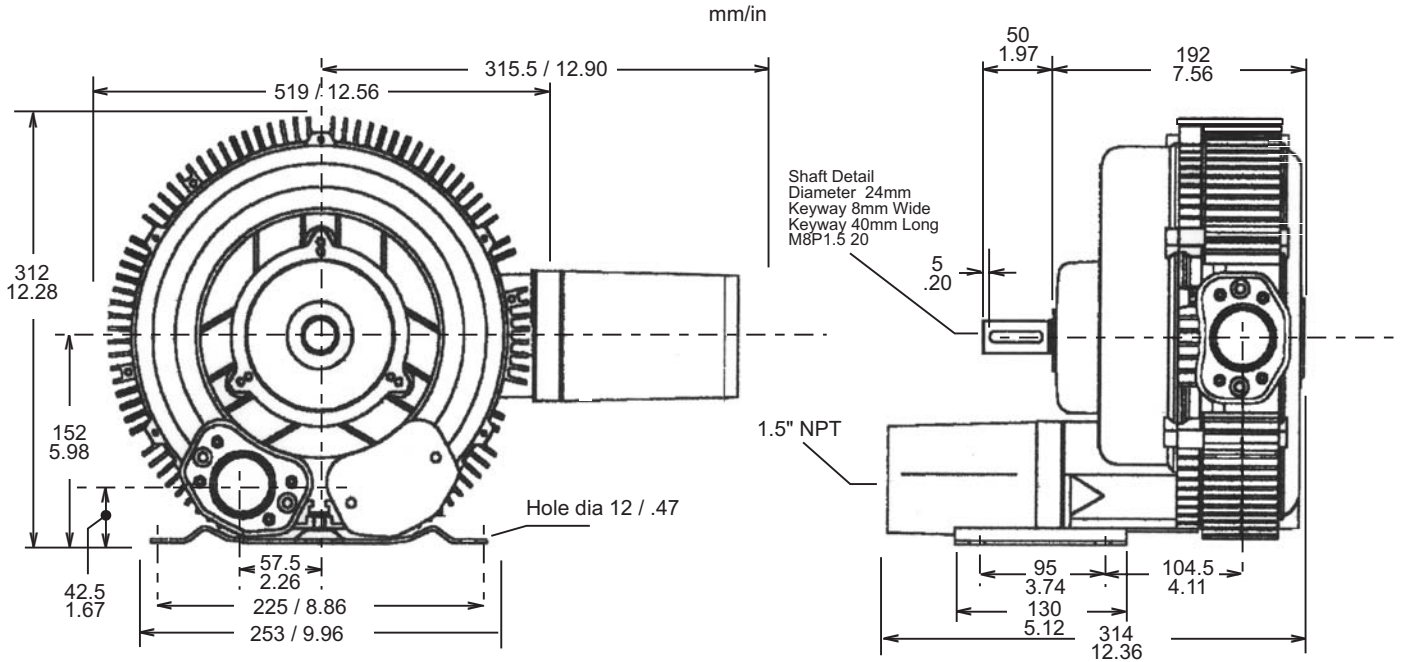


RoHS Compliant

**PRESSURE DATA CURVES ±10%**

[See reverse side for Vacuum Curves]  
CMM





VACUUM DATA CURVES

