



Model	Voltage	Hz	HP	kW	SCFM	Pressure		Vacuum		Noise Level	Net Weight	
						mbar	"H2O	mbar	"H2O		kg	lbs
RB2-067-1	1	60	.67	.5	63	167	67	144	58	61 dbA	12	27
RB2-067-3	3	50	.4	.5	51	135	54	110	44	58 dbA	12	27

*Refer to curves below for detailed performance data. Data subject to change without notice. Actual performance may vary by ±10%.

STANDARD FEATURES

- Housing - Aluminum
- Impeller - Aluminum, dynamically balanced
- Direct drive impeller
- Shock absorbing mounting base
- Quiet operation - below OSHA limits
- Inlet & outlet silencers included
- Motor shaft seal standard
- IP 54 TEFC 2 pole squirrel cage ac motor
- 40 Deg C ambient
- Class H insulation 1.15 service factor
- Performance tested ANSI/AMCA210-85
- Voltage
 - 1 = 1/60/50/115/230
 - 2 = 1/60/50/230
 - 3 = 3/60/208-230/460 3/50/220/380

3/60/208-230/460 & 3/50/220/380

RB2-067-3 replaces HB-229

1/60/50/115/230

RB2-067-1 replaces HB-229-1

REQUIRED ACCESSORIES

Note: To obtain warranty coverage on the blower, a relief valve and filter are required.

Pressure Relief Valve RV-01
Pressure Relief Valve RVA-01

Vacuum Relief Valve RV-01
Vacuum Relief Valve RVA-01

Pressure Intake Air Filter F19P-125
Vacuum Air Filter CSL-849-125HC



TECHNICAL DATA

[Available online www.all-star-usa.com]

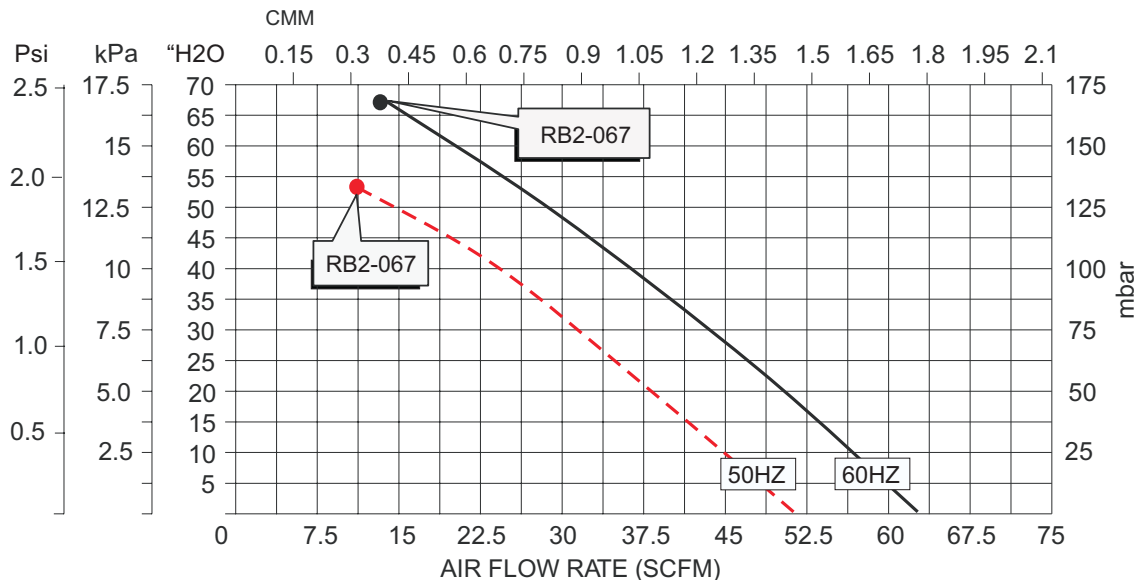
- Performance Temperature Rise Curves
- AutoCad files
- Parts List
- Full amperage

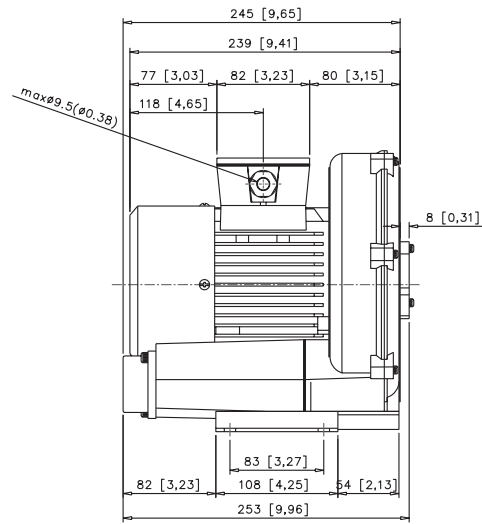
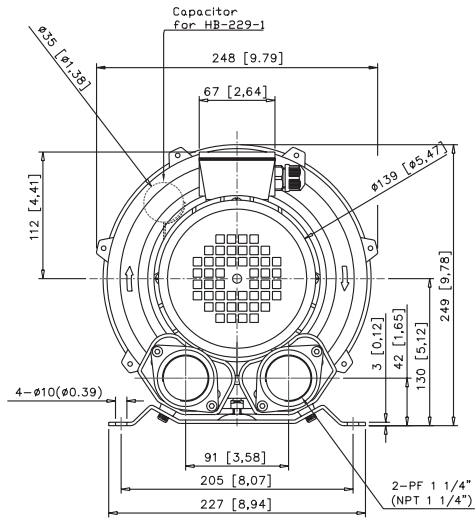
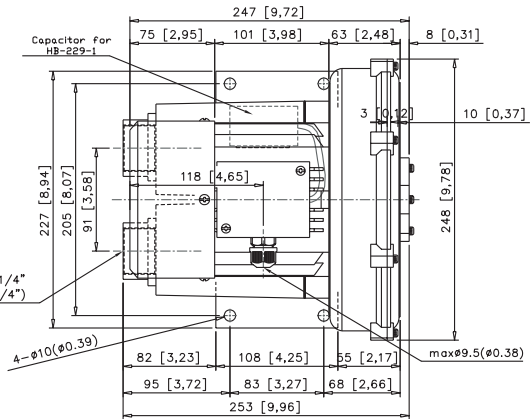
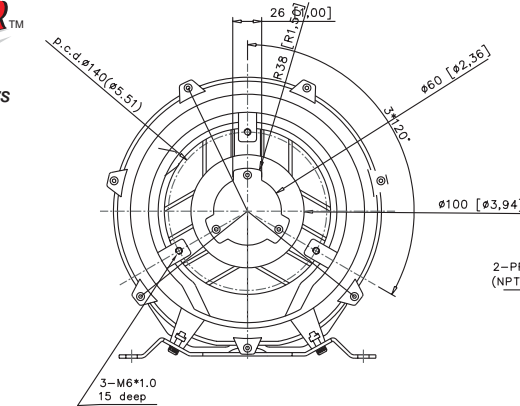


RoHS Compliant

PRESSURE DATA CURVES ±10%

[See reverse side for Vacuum Curves]





VACUUM DATA CURVES ±10%

