



Model	RPM	Hz	HP	kW	SCFM	Pressure		Vacuum		Noise Level	Net Weight	
						mbar	"H2O	mbar	"H2O		kg	lbs
RB23	3450	60	1.1	.85	67	250	100	245	98	66 db(A)		
RB23	2850	50		.75	55	240	96	205	82	60 db(A)		

*Refer to curves below for detailed performance data. Data subject to change without notice. Actual performance may vary by ±10%.

STANDARD FEATURES

- Housing - Aluminum
- Impeller - Aluminum, dynamically balanced
- Direct drive impeller
- Shock absorbing mounting base
- Quiet operation - below OSHA limits
- Inlet & outlet silencers included
- Regreasable bearing
- 40 Deg C ambient
- Performance tested ANSI/AMCA210-85

TECHNICAL DATA

- [Available online www.all-star-usa.com]
- Performance Temperature Rise Curves
 - AutoCad files
 - Parts List

NOTE: The RB23 replaces the HB-2301

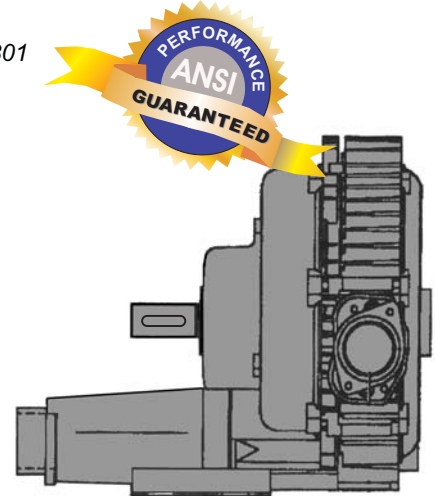
ACCESSORIES

Note: To obtain warranty coverage on the blower a relief valve and filter are required.

- Pressure Relief Valve RV-01
- Pressure Relief Valve RVA-01

- Vacuum Relief Valve RV-01
- Vacuum Relief Valve RVA-01

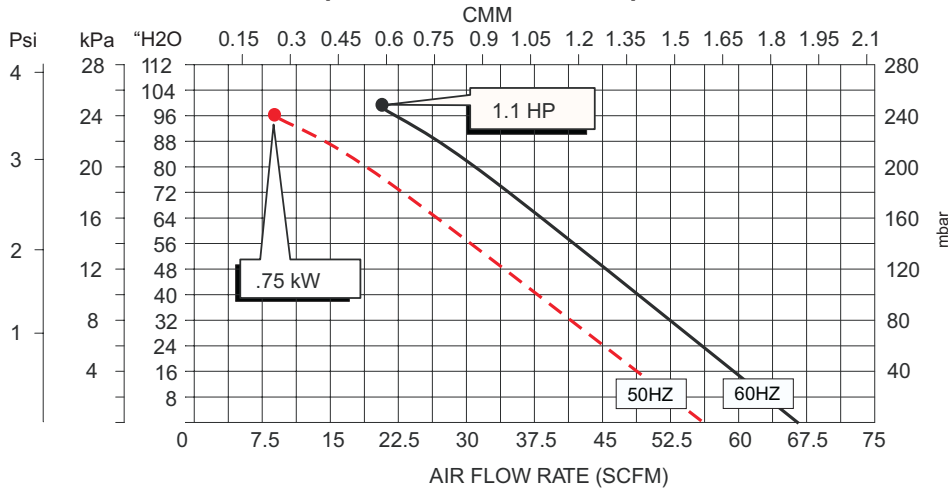
- Pressure Intake Air Filter F19P-12:
- Vacuum Air Filter CSL-849-125HC



RoHS Compliant

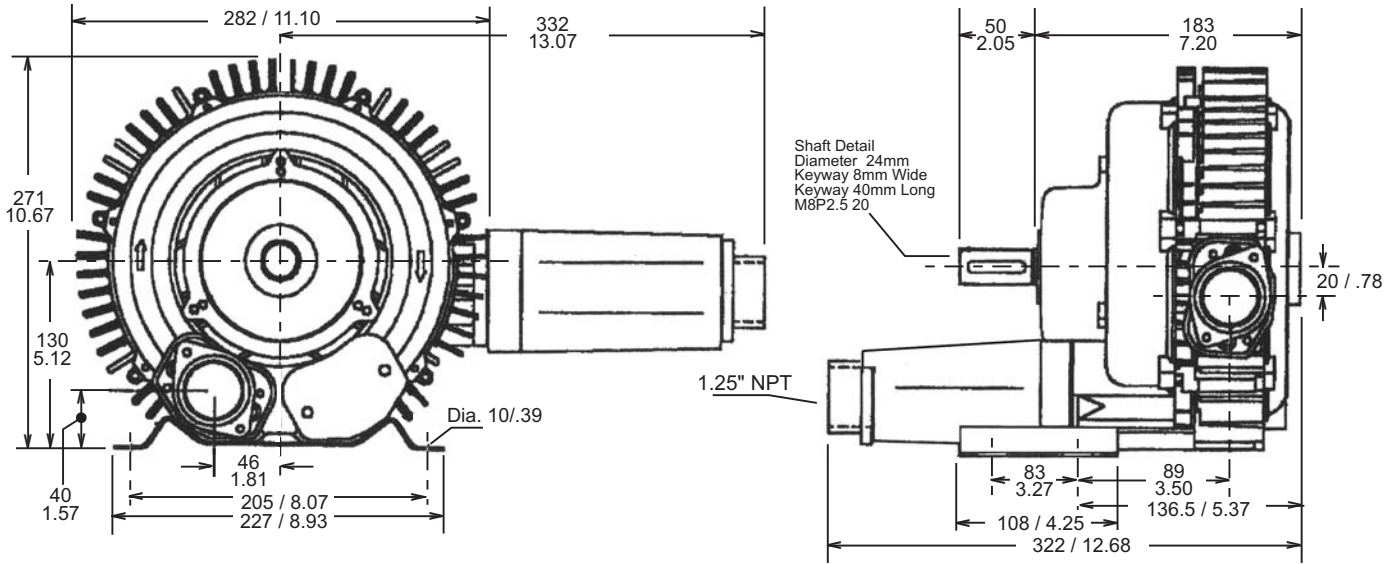
PRESSURE DATA CURVES ±10%

[See reverse side for Vacuum Curves]



Two Stage **Model RB23 Motorless Series**

New page December 30, 2006 RB23 Series



VACUUM DATA CURVES

