



Model	Voltage	Hz	HP	kW	SCFM	Pressure mbar	"H2O	Vacuum mbar	"H2O	Noise Level	Net Weight	
											kg	lbs
RB1-025-1	1	60	.25	.2	38	70	28	70	28	55 dbA	6.5	15
RB1-025-3	3	50	.18	.30	30	60	24	50	20	53 dbA	6.5	15
RB1-033-1	1	60	.33	.25	38	80	32	75	30	55 dbA	6.5	15
RB1-033-3	3	50	.20	.30	30	70	28	70	28	53 dbA	6.5	15

*Refer to curves below for detailed performance data. Data subject to change without notice. Actual performance may vary by ±10%.

STANDARD FEATURES

- Housing - Aluminum
- Impeller - Aluminum, dynamically balanced
- Direct drive impeller
- Shock absorbing mounting base
- Quiet operation - below OSHA limits
- Inlet & outlet silencers included
- Motor shaft seal standard
- IP 54 TEFC 2 pole squirrel cage ac motor
- 40 Deg C ambient
- Class H insulation 1.15 service factor
- Performance tested ANSI/AMCA210-85
- Voltage
 - 1 = 1/60/115/230 & 1/50/220
 - 2 = 1/60/50/230
 - 3 = 3/60/208-230/460 3/50/220/380

- 3/60/208-230/460 & 3/50/220/380**
 RB1-025-3 replaces HB-129
 RB1-033-3 replaces HB-139 & HB-129A
- 1/60/115/230 & 1/50/220**
 RB1-025-1 replaces HB-129-1
 RB1-033-1 replaces
 HB-139-1 & HB-129-12



REQUIRED ACCESSORIES

NOTE: To obtain warranty coverage on the blower, a pressure relief valve and filter are required.

- Pressure Relief Valve RV-01
- Pressure Relief Valve RVA-01
- Vacuum Relief Valve RV-01
- Vacuum Relief Valve RVA-01
- Pressure Intake Air Filter F19P-125
- Vacuum Air Filter CSL-843-125HC

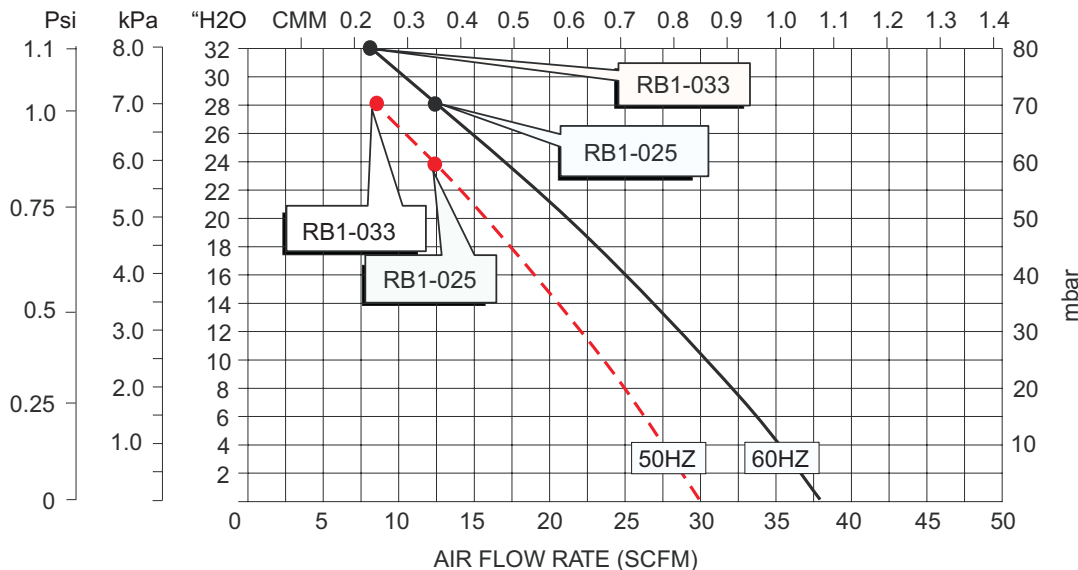
TECHNICAL DATA

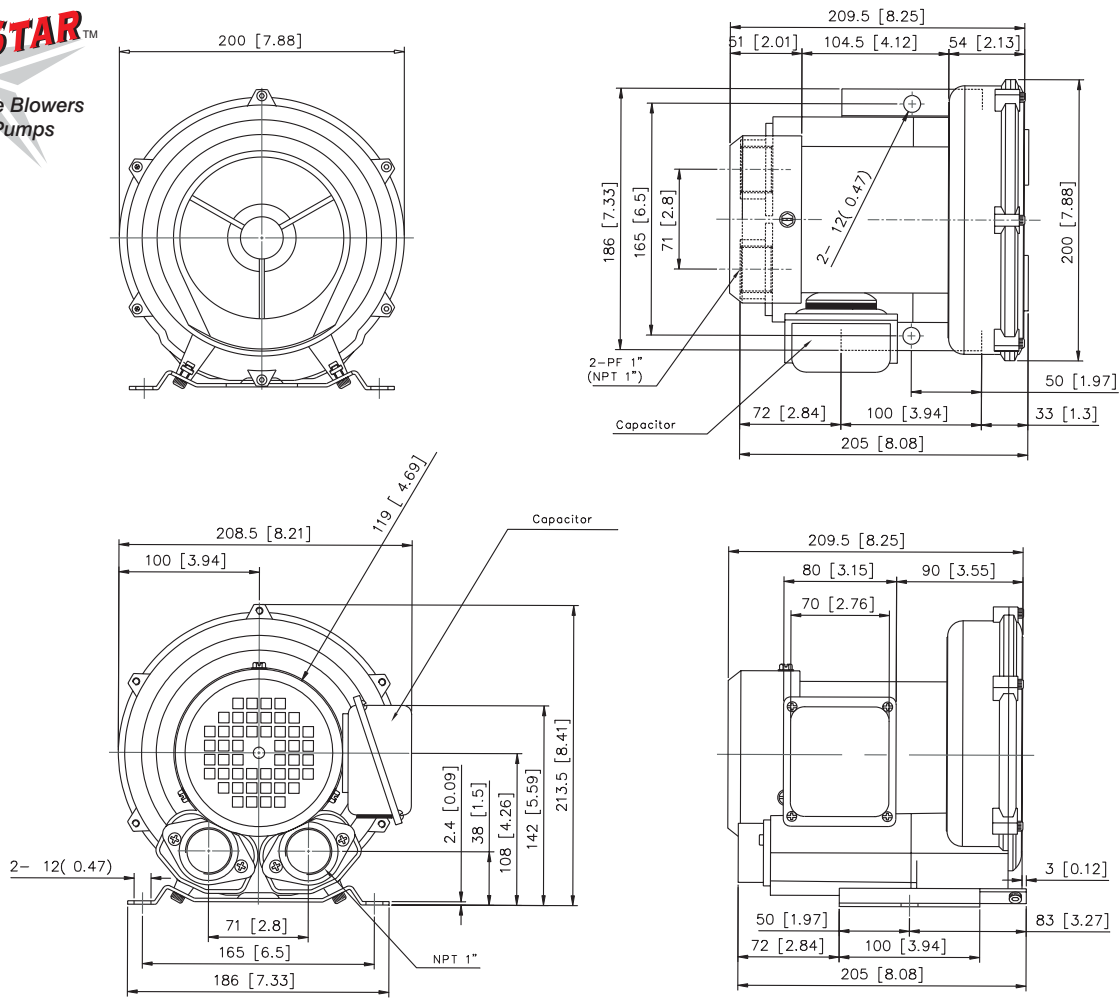
[Available online www.all-star-usa.com]

- Performance Temperature Rise Curves
- AutoCad files
- Parts List
- Full Load amperage



PRESSURE DATA CURVES ±10%
 [See reverse side for Vacuum Curves]





VACUUM DATA CURVES ± 10%

