



Oil-Less Rocking Piston Compressor

Model RPC 1400-2AC



Rocking piston compressors are a compact and reliable source of high pressure or vacuum air at moderate to high flow. Available in a wide range of performance with pressure ratings to 400 psi and vacuum ratings to 28"Hg with flows to 7 cfm and 1.8 horsepower

These compressors are very efficient compared to other such as diaphragm pumps. They are quiet and easily serviced. Since these are dry-running, discharge air is very clean. Intake air needs to be clean and dry for best performance.

Each compressor is designed to optimize an OEM application requirements for performance, enclosure and motor electrical specifications.

Common Applications

Industrial

Printing - Sheet feed, stitching, stapeling
Plastic - Welding, Plasma Cutters

Commercial

Business Machines - Copier, Mail Sorters, Vacuum Frames
Vending Machines
Floor Cleaning Machines

Environmental

Dryers, Particle Counters, Ozone Generators, Dry Fire Control

Medical Laboratory

Gas Analyzers, Samplers, Dryers, Mass Spectrometers
Water Aspirators, Electron Microscopes

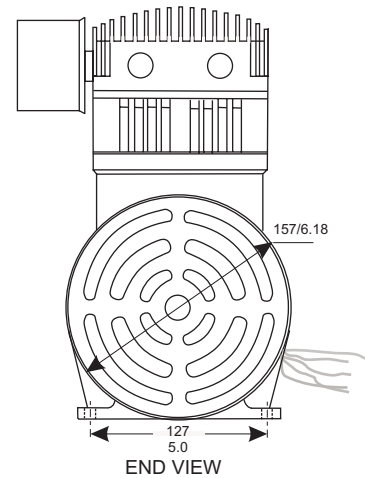
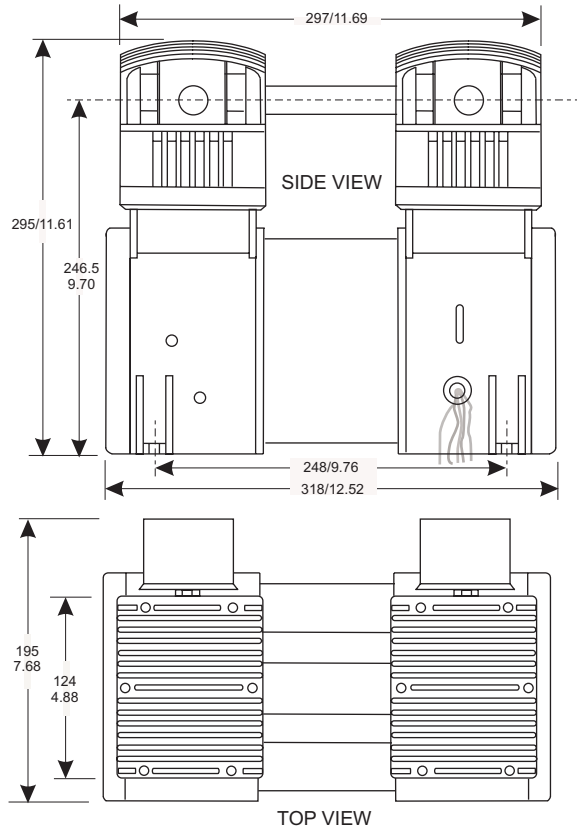
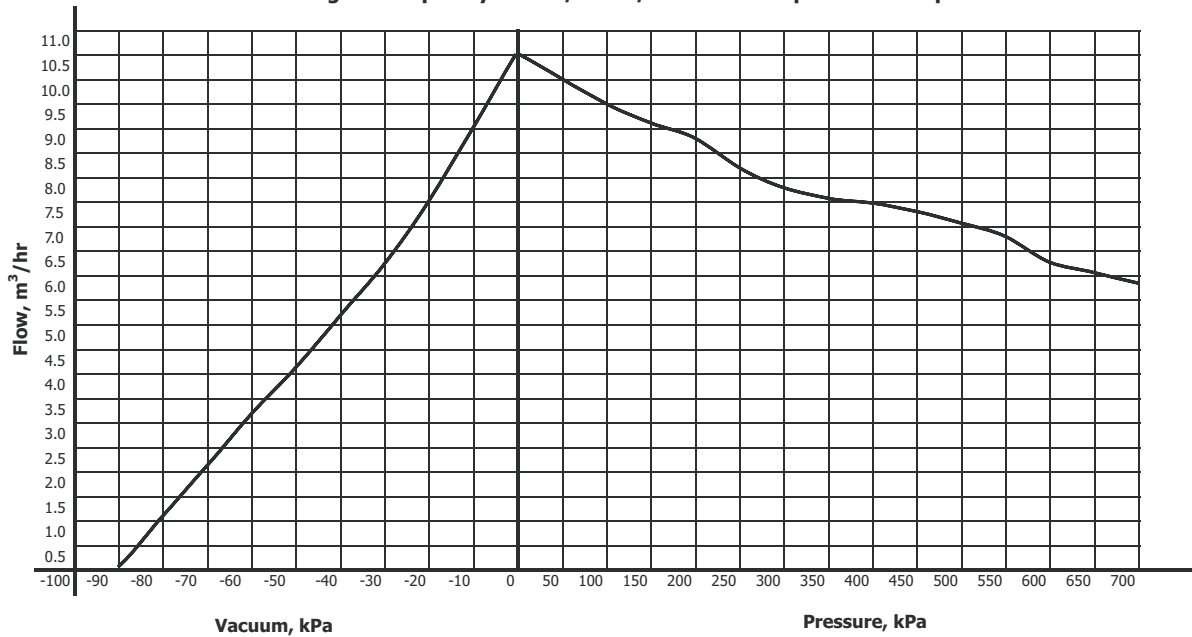
Medical Dental

Autoclaves, Sterilizers, Dental Vacuum, Oxygen Concentrators, Blood Analyers, Blood Pressure Instrumentation, Pneumatic Beds, Nebulizers, Aspirators

Oil-Less Rocking Piston Compressor

Model 1400-2AC 60 Hz Performance Curve

Voltage & Frequency: 230V / 60Hz / 1 Phase Capacitance: 30 μ F



Note: Not to scale
mm/ inches
Subject to change without notice

All-Star™ Products

Your source for all of your
blower and vacuum pump requirements

Centrifugal Blowers to 50,000 SCFM

Turbine Blowers to 1590 CFM

Regenerative Blowers to 2500 SCFM to 11.5 psi

Rocking Piston Compressors & Vacuum Pumps

Rotary Vane Compressors & Vacuum Pumps