



Model	Voltage	Hz	HP	kW	SCFM	Pressure		Vacuum		Noise Level	Net Weight		
						mbar	"H2O	mbar	"H2O		kg	lbs	
RB84-1105-3	3	▶	60	11.5	8.5	600	150	60	170	68	81 db(A)	110	243
			50	7.5	515	150	60	165	66	81 db(A)	110	243	
RB84-1705-3	3	▶	60	17.5	13	600	265	106	260	104	81 db(A)	140	309
			50	11	515	265	106	260	104	81 db(A)	140	309	

\*Refer to curves below for detailed performance data. Performance data and product specifications are subject to change without prior notice. Actual performance may vary by ±10%.

**STANDARD FEATURES**

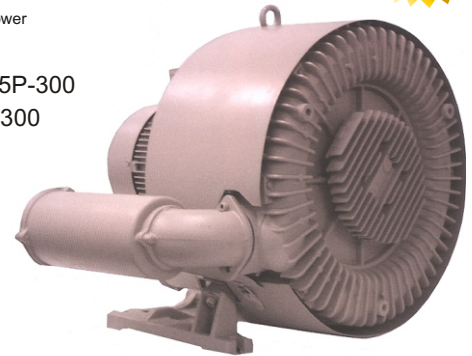
- Housing - Aluminum
- Impeller - Aluminum, dynamically balanced
- Direct drive impeller
- Shock absorbing mounting base
- Quiet operation - below OSHA limits
- Inlet & outlet silencers included
- Motor shaft seal standard
- IP 54 TEFC 2 pole squirrel cage ac motor
- 40 Deg C ambient
- Class H insulation 1.15 service factor
- Performance tested ANSI/AMCA210-85
- Voltage Code
  - 1 = 1/60/50/115/230
  - 2 = 1/60/50/230
  - 3 = 3/60/208-230/460 3/50/220/380

**3/60/208-230/460 & 3/50/220/380**  
 RB84-1105-3 replaces HB-8410  
 RB84-1705-3 replaced HB-8415

**ACCESSORIES**

Note: To obtain warranty coverage on the blower a relief valve and filter are required.

- Pressure Intake Air Filter F245P-300
- Vacuum Air Filter CSL-335P-300



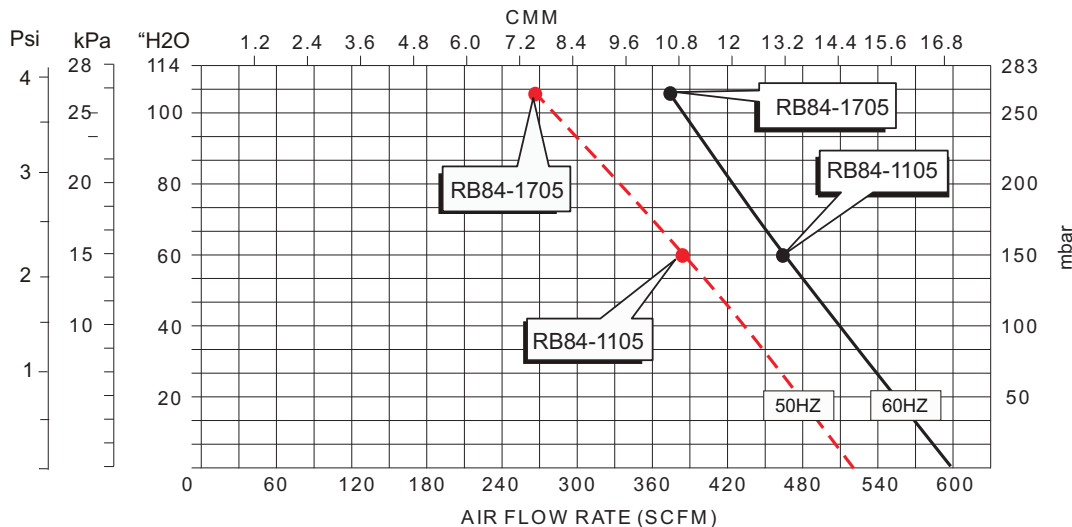
**TECHNICAL DATA**

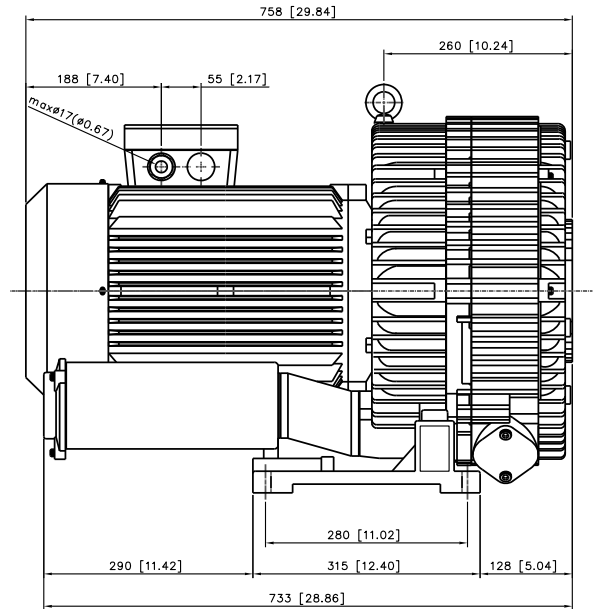
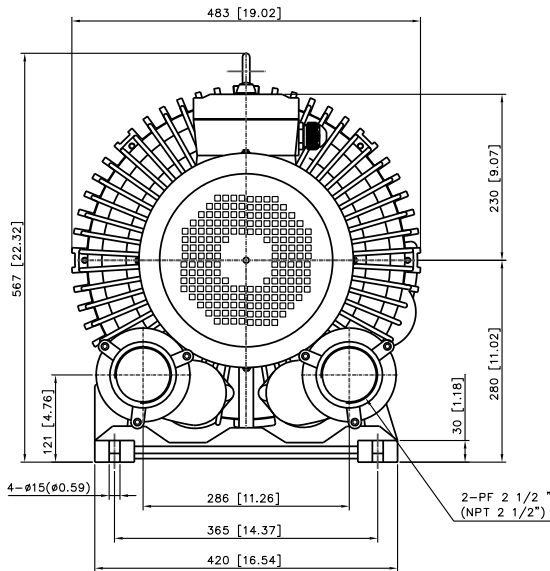
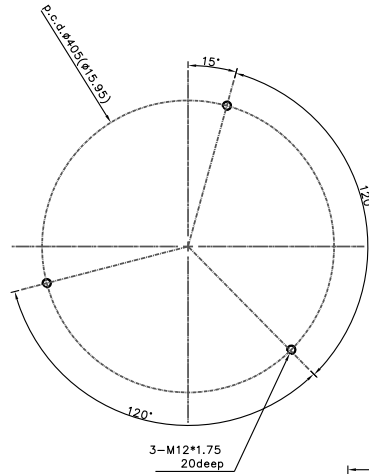
- [Available online [www.all-star-usa.com](http://www.all-star-usa.com)]
- Performance Temperature Rise Curves
- AutoCad files
- Parts List
- Full load amperage



RoHS Compliant

**PRESSURE DATA CURVES ±10%**  
 [See reverse side for Vacuum Curves]





VACUUM DATA CURVES

