



Model	Voltage	Hz	HP	kW	SCFM	Pressure		Vacuum		Noise Level	Net Weight	
						mbar	"H2O	mbar	"H2O		kg	lbs
RB83-1105-3	3	60	11.5	8.5	410	320	128	340	137	81 db(A)	112	247
		50		7.5	340	320	128	360	145	77 db(A)	112	247
RB83-1705-3	3	60	17.5	13	410	598	240	456	183	81 db(A)	143	314
		50		11	340	598	240	423	170	77 db(A)	143	314
RB83-25-3	3	60	25	19	410	790	317	650	261	81 db(A)	160	353
		50		16	340	700	281	450	181	77 db(A)	160	353

*Refer to curves below for detailed performance data. Performance data and product specifications are subject to change without prior notice. Actual performance may vary by ±10%.

STANDARD FEATURES

- Housing - Aluminum
- Impeller - Aluminum, dynamically balanced
- Direct drive impeller
- Shock absorbing mounting base
- Quiet operation - below OSHA limits
- Inlet & outlet silencers included
- Motor shaft seal standard
- IP 54 TEFC 2 pole squirrel cage ac motor
- 40 Deg C ambient
- Class H insulation 1.15 service factor
- Performance tested ANSI/AMCA210-85
- Voltage Code
 - 1 = 1/60/50/115/230
 - 2 = 1/60/50/230
 - 3 = 3/60/208-230/460 3/50/220/380

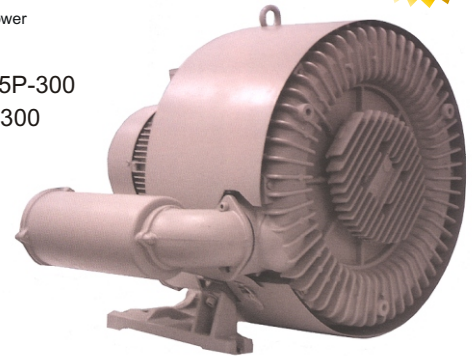
3/60/208-230/460 & 3/50/220/380

RB83-1105-3 replaces HB-8310
 RB83-1705-3 replaces HB-8315
 RB83-25-3 replaces HB-8320

ACCESSORIES

Note: To obtain warranty coverage on the blower a relief valve and filter are required.

- Pressure Intake Air Filter F245P-300
- Vacuum Air Filter CSL-335P-300



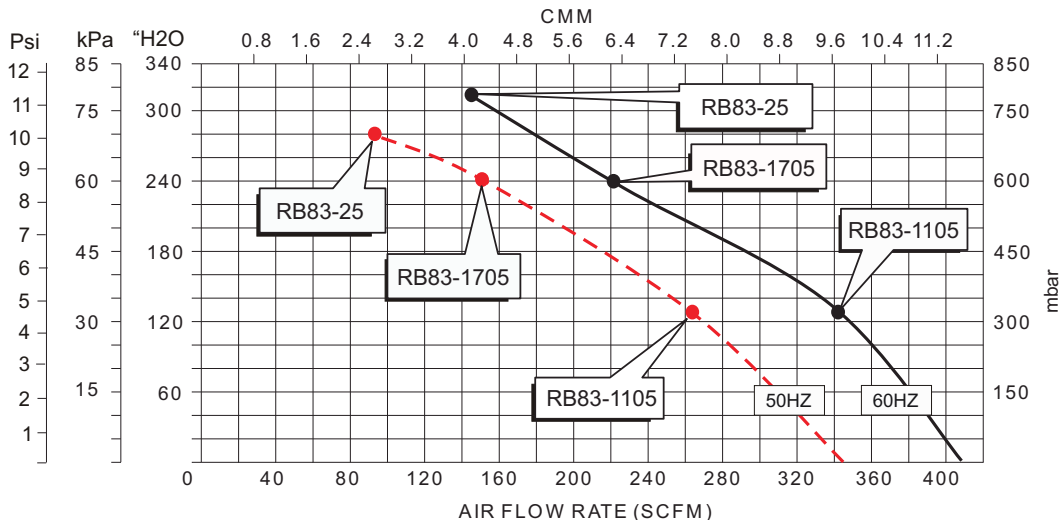
TECHNICAL DATA

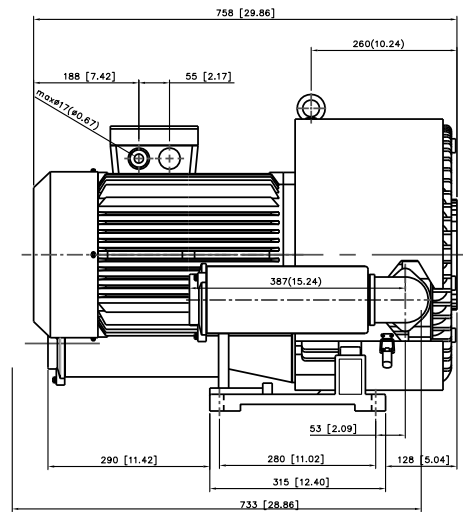
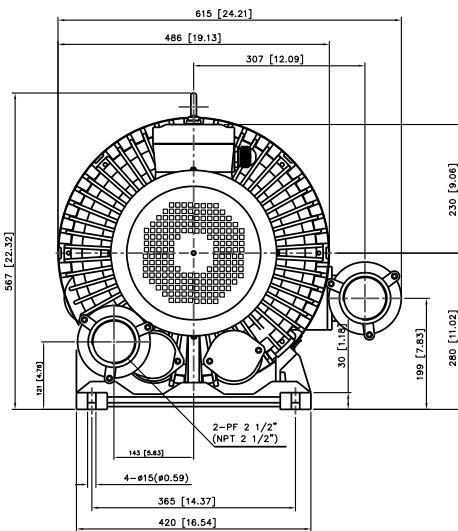
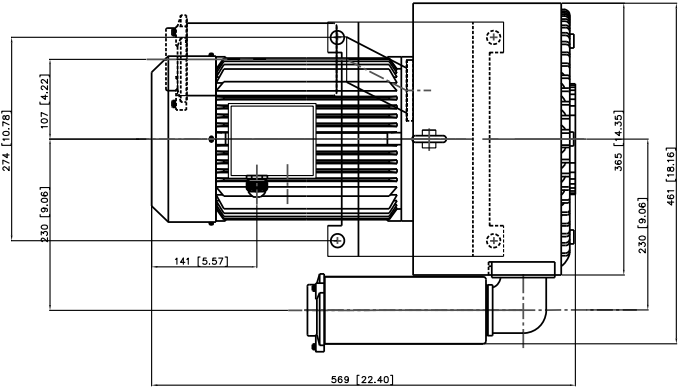
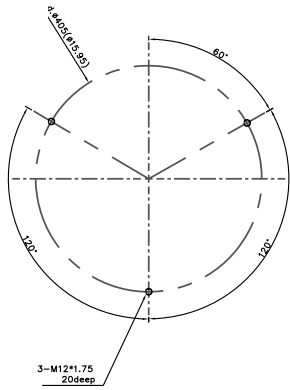
- [Available online www.all-star-usa.com]
- Performance Temperature Rise Curves
- AutoCad files
- Parts List
- Full load amperage



RoHS Compliant

PRESSURE DATA CURVES ±10%
 [See reverse side for Vacuum Curves]





VACUUM DATA CURVES

