



Model	Voltage	Hz	HP	kW	SCFM	Pressure		Vacuum		Noise Level	Net Weight	
						mbar	"H2O	mbar	"H2O		kg	lbs
RB43-305-2	2	▶ 60	3.5	2.6	165	386	155	386	155	77 db(A)	37	81
			50	2.2	135	360	148	348	140	74 db(A)	37	81
RB43-5-3	3	▶ 60	5	3.7	165	415	167	410	165	77 db(A)	39	86
			50	3.4	135	415	167	360	145	74 db(A)	39	86
RB43-601-3	3	▶ 60	6.1	4.6	165	490	197	420	168	77 db(A)	40	88
			50	4	135	485	195	335	135	74 db(A)	40	88

\*Refer to curves below for detailed performance data. Performance data and product specifications are subject to change without prior notice. Actual performance may vary by ±10%.

**STANDARD FEATURES**

- Housing - Aluminum
- Impeller - Aluminum, dynamically balanced
- Direct drive impeller
- Shock absorbing mounting base
- Quiet operation - below OSHA limits
- Inlet & outlet silencers included
- Motor shaft seal standard
- IP 54 TEFC 2 pole squirrel cage ac motor
- 40 Deg C ambient
- Class H insulation 1.15 service factor
- Performance tested ANSI/AMCA210-85
- Voltage Code
  - 1 = 1/60/50/115/230
  - 2 = 1/60/50/230
  - 3 = 3/60/208-230/460 3/50/220/380

**3/60/208-230/460 & 3/50/220/380**  
 RB43-5-3 replaces HB-4337  
 RB43-601-3 replaces HB-4346

**1/60/230 & 1/50/220**  
 RB43-305-2 replaces HB-4326-1



**ACCESSORIES**

Note: To obtain warranty coverage on the blower a relief valve and filter are required.

Pressure Relief Valve RV-02  
 Pressure Relief Valve RVA-02

Vacuum Relief Valve RV-02  
 Vacuum Relief Valve RVA-02

Pressure Intake Air Filter F31P-200  
 Vacuum Air Filter CSL-851-200HC

**TECHNICAL DATA**

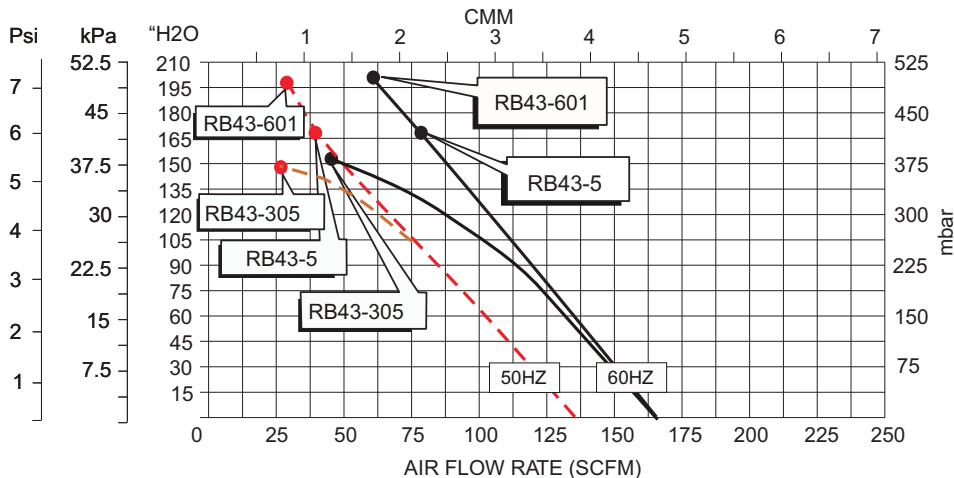
- [Available online [www.all-star-usa.com](http://www.all-star-usa.com)]
- Performance Temperature Rise Curves
- AutoCad files
- Parts List
- Full load amperage



RoHS Compliant

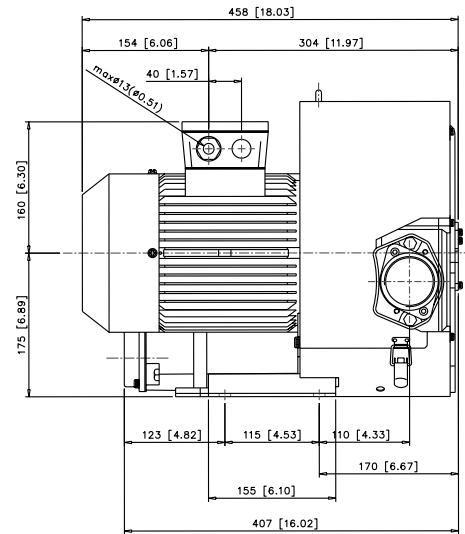
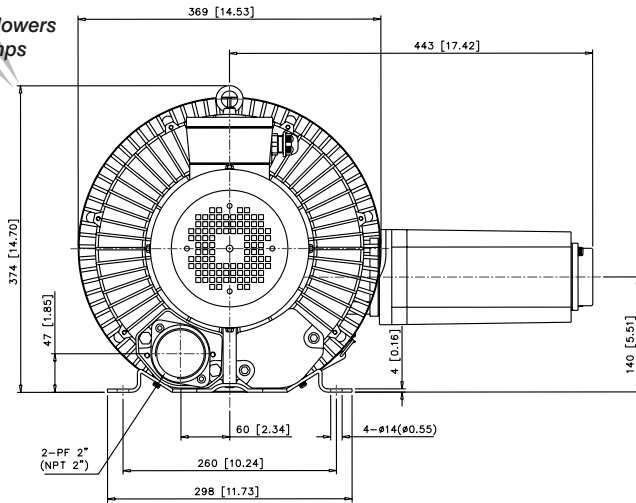
**PRESSURE DATA CURVES ± 10%**

[See reverse side for Vacuum Curves]

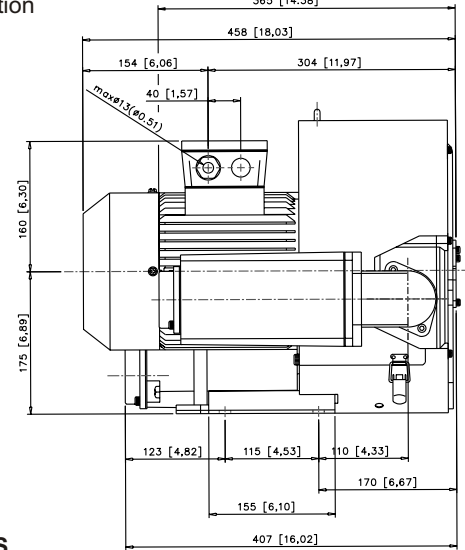
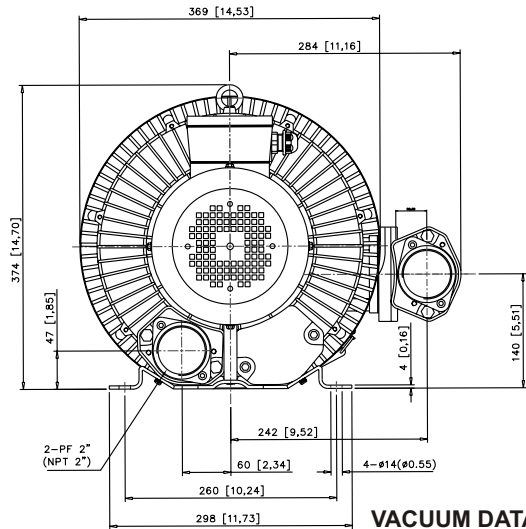




Assembly "A"  
Discharge Silencer Position



Assembly "B"  
Discharge Silencer Position



VACUUM DATA CURVES

