



Model	Voltage	Hz	HP	kW	SCFM	Pressure		Vacuum		Noise Level	Net Weight	
						mbar	"H2O	mbar	"H2O		kg	lbs
RB23-101-1	1	60	1.1	.85	67	250	100	245	98	66 db(A)	23	51
RB23-101-3	3	50		.75	55	240	96	205	82	60 db(A)	23	51

*Refer to curves below for detailed performance data. Performance data and product specifications are subject to change without prior notice. Actual performance may vary by ±10%.

STANDARD FEATURES

- Housing - Aluminum
- Impeller - Aluminum, dynamically balanced
- Direct drive impeller
- Shock absorbing mounting base
- Quiet operation - below OSHA limits
- Inlet & outlet silencers included
- Motor shaft seal standard
- IP 54 TEFC 2 pole squirrel cage ac motor
- 40 Deg C ambient
- Class H insulation 1.15 service factor
- Performance tested ANSI/AMCA210-85
- Voltage
 - 1 = 1/60/50/115/230
 - 2 = 1/60/50/230
 - 3 = 3/60/208-230/460 3/50/220/380

3/60/208-230/460 & 3/50/220/380
 RB23-101-3 replaces HB-2308

1/60/115/230 & 1/50/220
 RB23-101-1 repaces HB-2308-1

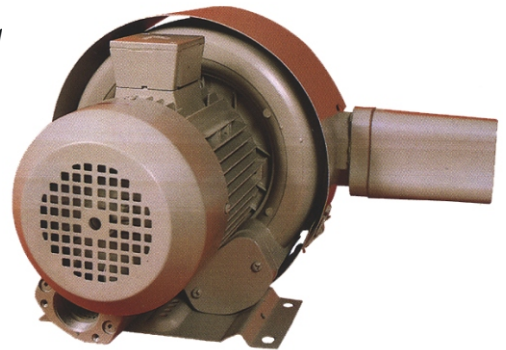
ACCESSORIES

Note: To obtain warranty coverage on the blower a relief valve and filter are required.

Pressure Relief Valve RV-01
 Pressure Relief Valve RVA-01

Vacuum Relief Valve RV-01
 Vacuum Relief Valve RVA-01

Pressure Intake Air Filter F19P-125
 Vacuum Air Filter CSL-849-125HC



TECHNICAL DATA

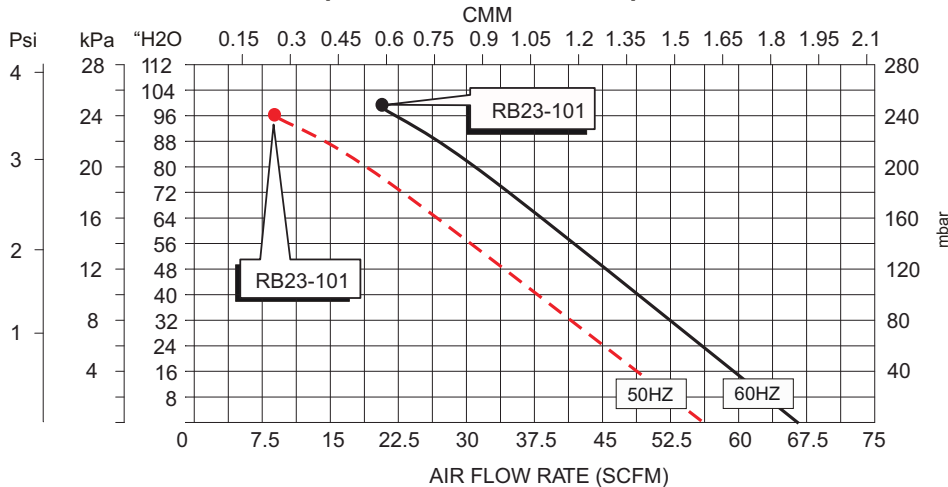
- [Available online www.all-star-usa.com]
- Performance Temperature Rise Curves
- AutoCad files
- Parts List
- Full load amperage



RoHS Compliant

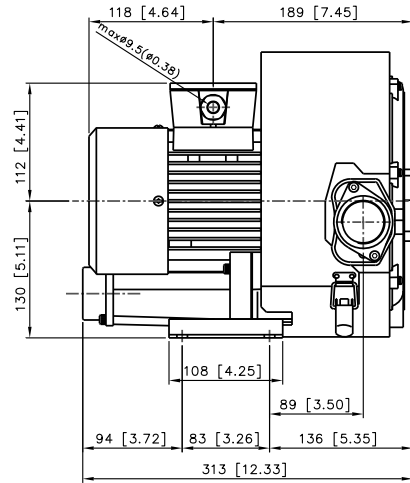
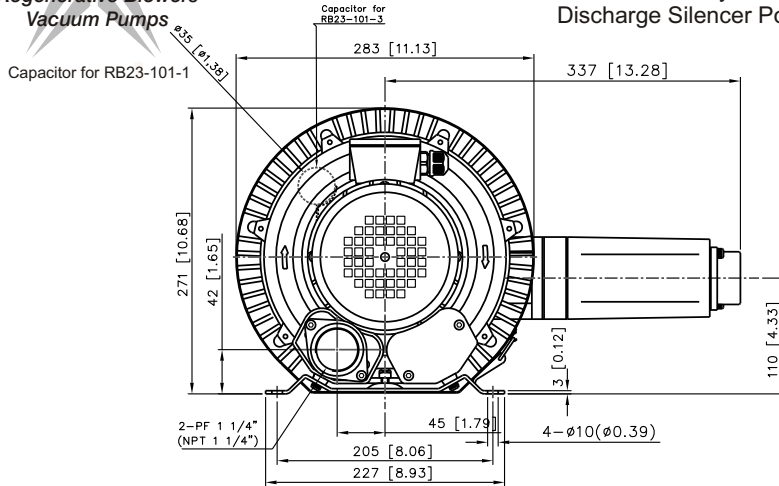
PRESSURE DATA CURVES ±10%

[See reverse side for Vacuum Curves]

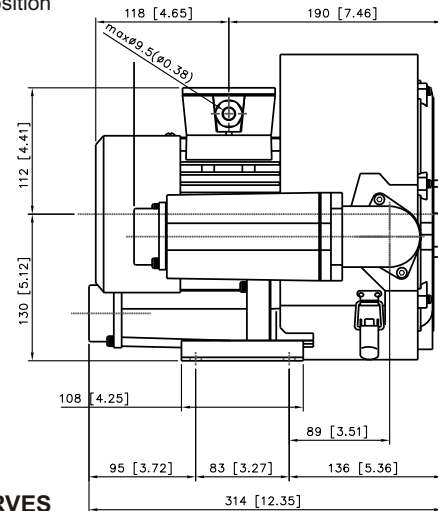
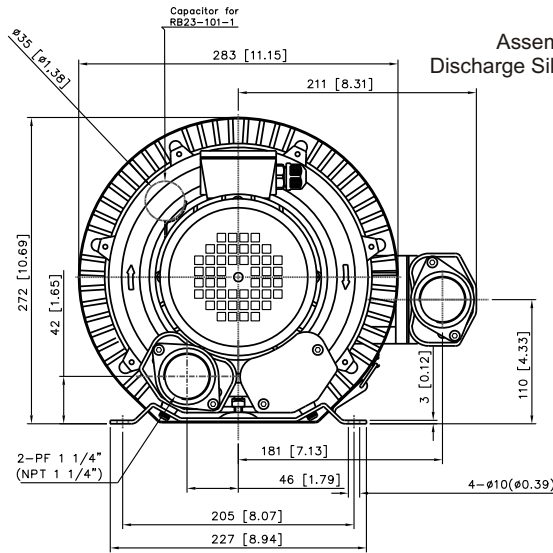




Assembly "A"
Discharge Silencer Position



Assembly "B"
Discharge Silencer Position



VACUUM DATA CURVES

